

REVELATION

by UTTERMOST

ASSEMBLY INSTRUCTIONS

Illustration

STYLE NO. : R21366

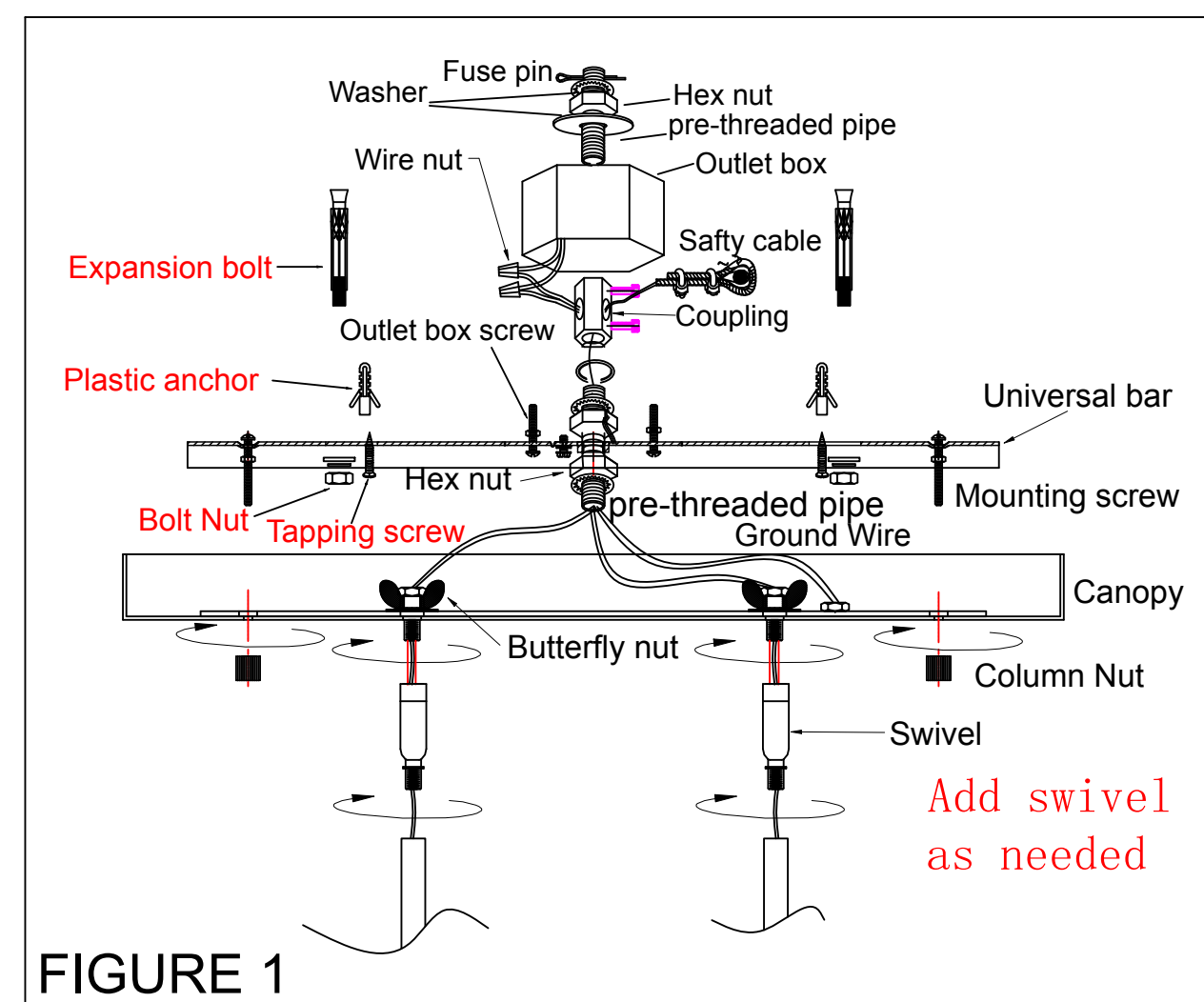


FIGURE 1

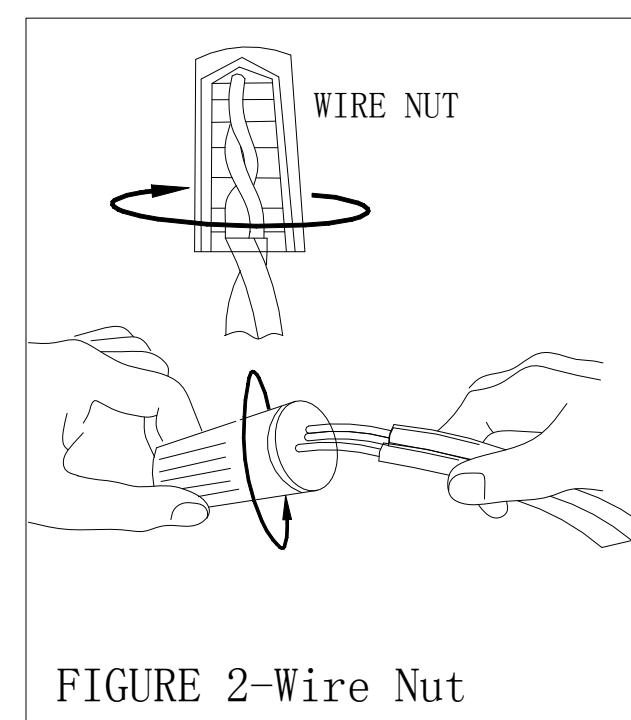
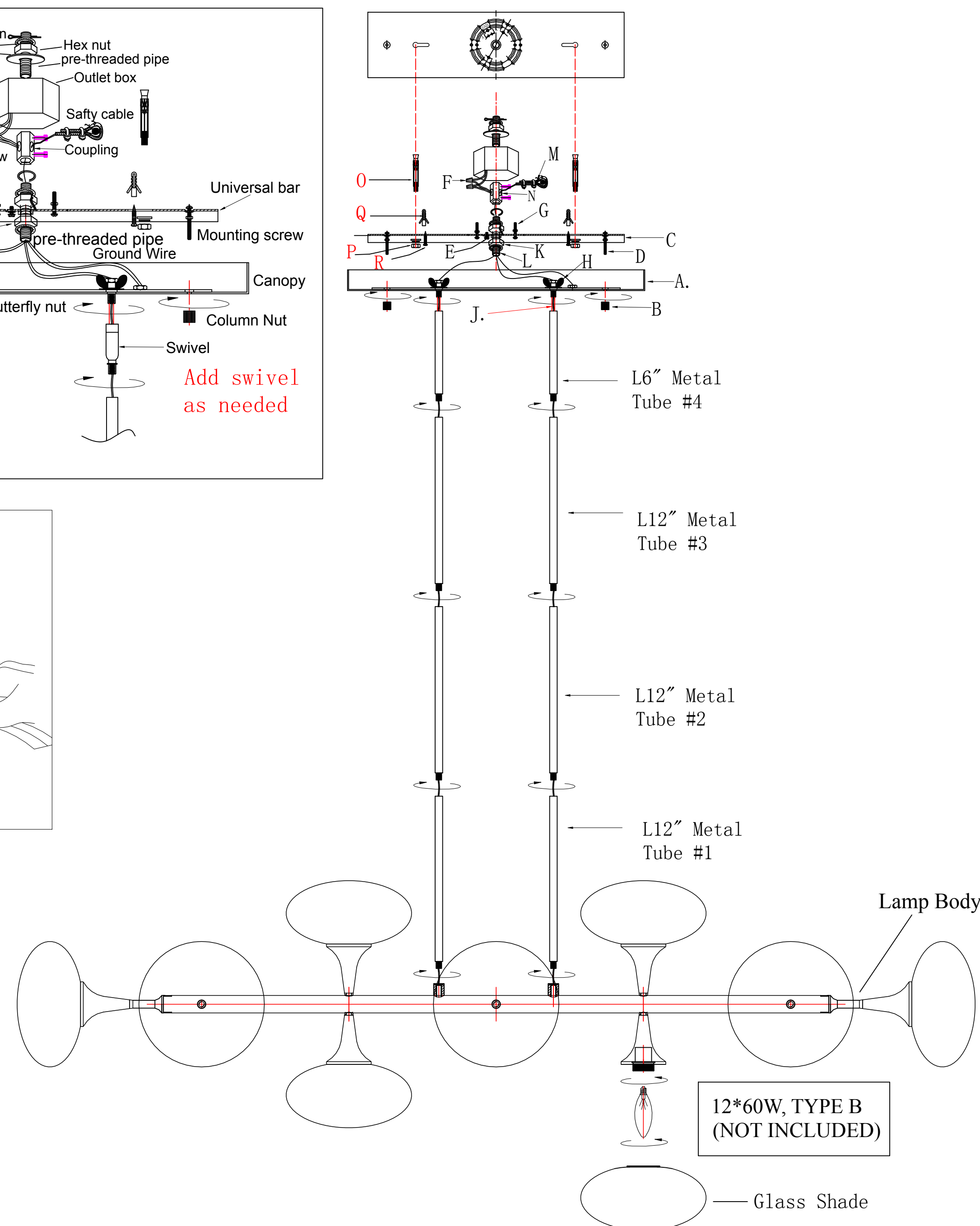


FIGURE 2-Wire Nut



REVELATION

by UTTERMOST

ASSEMBLY INSTRUCTIONS

ITEM NO. :R21366

Parts and Hardware List

A.	Canopy	1PC
B.	Column Nut	2PCS
C.	Universal Bar	1PC
D.	Mounting Screw	2PCS
E.	Green Ground Screw	1PC
F.	Wire Nut	3PCS
G.	Outlet Box Screw	2PCS
H.	Butterfly Nut	2PCS
I.	Swivel	2PCS
J.	White fiber glass sleeve	2PCS
K.	Hex nut	2PCS
L.	Pre-Threaded Pipe	2PCS

M.	Safety cable	1PC
N.	Coupling	1PC
O.	Expansion bolt	2PCS
P.	Bolt nut	2PCS
Q.	Plastic anchor	2PCS
R.	Tapping screw	2PCS
S.	L12 inch metal tube	6PCS
T.	L6 inch metal tube	2PCS

Please make sure that you have all the parts indicated before you begin assembling this item. Please read Wiring Instructions before you begin assembling and installing your Ceiling Fixture.

WARNING: BEFORE INSTALLING, make sure the electricity supply is shut off to avoid a possible electric shock. We suggest a licensed electrician for all lighting fixture installations.

HEAVY WEIGHT FIXTURE OVER 50 LBS., MUST FOLLOW NEC ARTICLE 314.27 (2) for heavy weight installation; Fixtures that weigh more than 50 lbs. shall be supported independently of the outlet box, unless the outlet box is listed for not less than the weight to be supported, and the box shall be marked by box manufacturer to indicate the maximum weight it shall support.

1. Take the parts carefully out of the carton, place them on a flat surface, and make sure that the parts will not be damaged.
2. The weight of this fixture will require a means of support independent of the outlet box. This fixture must be supported by Pre-Threaded Pipe. The Pre-Threaded Pipe should be positioned so that 3/4" protrudes into the outlet box cavity.
3. With the Pre-Threaded Pipe properly situated, locate the Coupling (N) and proceed to thread onto the end of the Pre-Threaded Pipe protruding into the outlet box. Thread the Coupling (N) onto the pipe until tight.
4. Remove the Column Nuts (B) under the Canopy from the Mounting Screws (D), and take out the Universal Bar (C). Attach the Universal Bar (C) to the Outlet Box using two Outlet Box Screws (G). (See Figure 1)
5. Insert the shorter end of the Pre-Threaded Pipe (L) into the pre-drilled hole in the Universal Bar (C) and secure by turning in a clockwise direction.
6. Adjust the length of the wire needed for your installation, remove excess, determine the number of Rods to be assembled to the Fixture Body as needed for your hanging height, then the metal tube #1 passes through the wire and screw the Lamp body onto the Metal Tube #1 until tight.
7. Repeat Step 6 with the Metal Tube #2, #3 and #4 as needed for your installation height. then use (J) white fiber glass sleeve to protect wires in (I) swivel, using Butterfly nuts (H) to secure Swivels tightly. Please note two swivels need to adjust in same direction. **If you don't need swivels, you can screw the metal tube #4 on canopy directly.**
8. Install the ground wire in the Universal Bar (C) with the supplied Green Ground Screw (E).
9. Place the neutral wire, ribbed wire evenly against the ribbed wire from the Outlet Box and place the hot wire, smooth wire evenly against the smooth wire from the Outlet Box. (Connecting the Wires-See Figure 2)
10. After the wires are connected, tuck them carefully inside the Outlet Box. attach the Canopy (A) to the Mounting Screws (D) and secure with two Ball Nuts (B). (See Figure 1)
11. Install 12*60W max, Type B bulbs (NOT INCLUDED) into the socket of the fixture, then screw the glass shade onto the socket until tight.

REVELATION
by UTTERMOST
ASSEMBLY INSTRUCTIONS

STYLE NO.: R21366

IMPORTANT: FOR A SAFE AND SECURE INSTALLATION, THESE FIXTURES MUST BE INSTALLED BY MEANS OF SUPPORTS THAT ARE INDEPENDENT OF THE OUTLET BOX. YOU SHOULD USE A QUALIFIED ELECTRICIAN TO INSTALL THIS FIXTURE.

NOTE: ALWAYS TURN POWER OFF BEFORE INSTALLING LIGHTING FIXTURES!

Installation (see Figure 1)

1. Disconnect power at main electrical panel before installation.
2. If cement ceiling, please use expansion bolt to fix; If wood ceiling, please use plastic anchor and tapping screw to fix. Drill two holes on the ceiling (Load-bearing structure) reference universal bar and knock the expansion bolt into the holes, or use cross screwdriver let tapping screw with plastic anchor into the ceiling.
3. Attach the universal bar to the outlet box using two outlet box screws.
4. Assemble the fixture as shown in reference diagram.
5. Raise the fixture to ceiling and place the safety cable through the universal bar and secure with lock and screws.

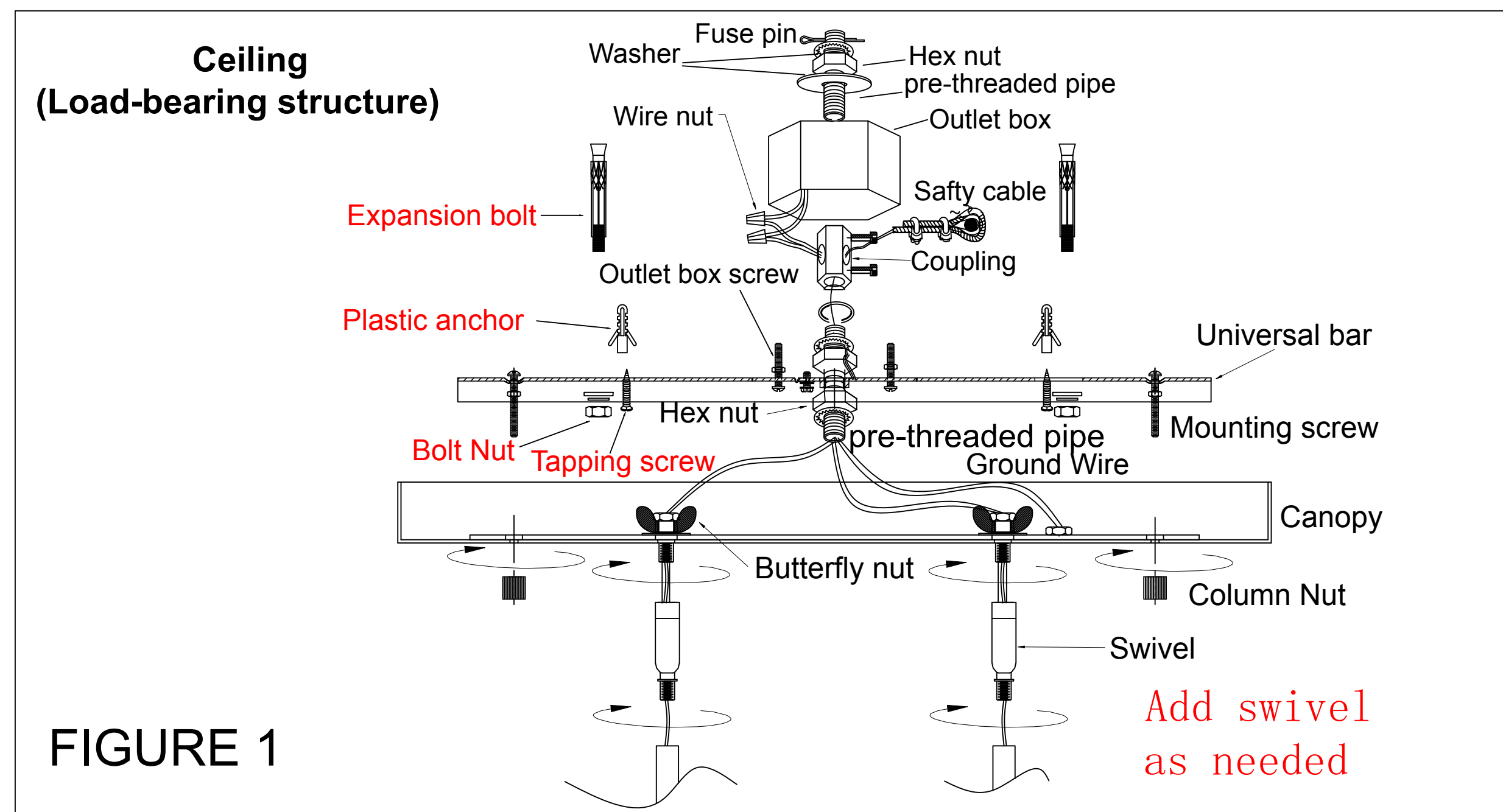


FIGURE 1

Wiring (see Figure 2)

6. Attach the fixture's wires to the powder supply wires from the ceiling. Connect black to black (or smooth); white to white (or ribbed); ground to ground (green or copper). Twist the ends of the wire pairs together, then twist on a wire nut. Make sure all twists are in the same direction.
7. Place the canopy on the fixture over the universal bar and onto the mounting screws, and secure into place using the column nut.

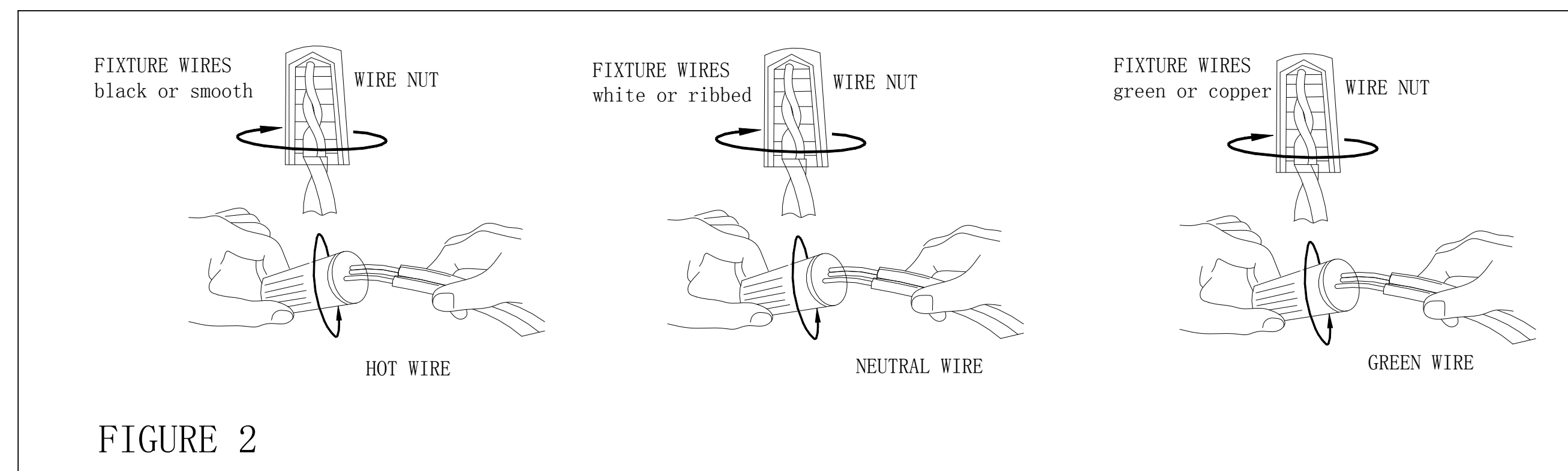


FIGURE 2

**INSTALLATION INSTRUCTION
FOR SAFETY CABLE INSTALLATION**

IN INSTRUCTION:

THIS FIXTURE IS PROVIDED WITH A SAFETY CABLE. THE SAFETY CABLE PROVIDES A BACK UP SYSTEM OF THE FIXTURE'S FRAME AND THE INSTALLATION HARDWARE. IT IS ESSENTIAL THAT THE SAFETY CABLE BE PROPERLY INSTALLED. THE CABLE MUST BE SECURED TO A STRUCTURAL MEMBER OF THE BUILDING, AND NOT TO THE OUTLET BOX. THE CABLE MUST BE TERMINATED WITH CLAMPS SPECIFICALLY SIZED FOR THE CABLE. IF THE U-CLAMPS ARE USED, THEY MUST BE ORIENTATED AS PER THE DRAWING BELOW. IF THE CABLE HAS A PLASTIC COVERING, IT MUST BE REMOVED FROM THE AREA WHERE THE CLAMPS ARE MOUNTED. MAKE SURE ALL HARDWARE IS PROPERLY TIGHTENED AND THE CABLE IS POSITIONED CLEAR OF ANY OBSTRUCTIONS.

CORRECT APPLICATION

